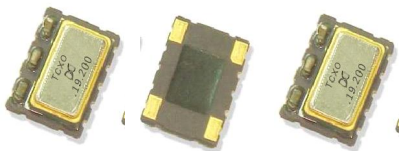




SMD7050 (VC) TCXO



■ FEATURES:

- For automatic assembly
- Compactness and light weight
- VCTCXO available
- Low thickness

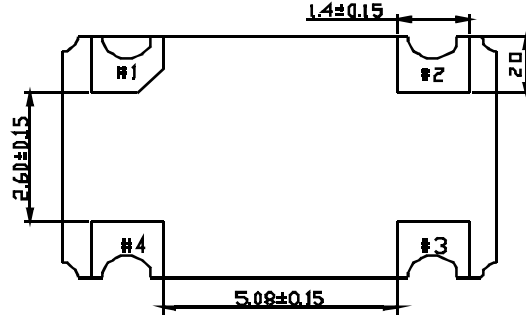
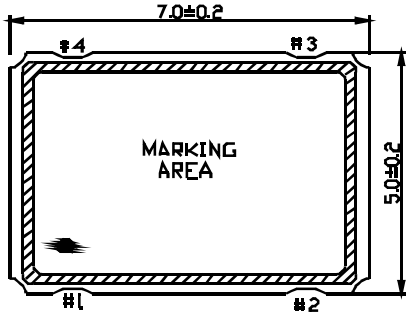
■ SPECIFICATION:

Parameter	Min	Typical	Max	Unit
Package	SMD7050			
Frequency Range(F0)	10.00		40.00	MHz
Standard Frequency	13.000、16.368、19.200、26.000			MHz
Frequency Stability @T ^{OPR} (ΔF/F0)			±1.0(0℃ to +50℃) ±1.5(0℃ to +70℃) ±2.0(-20℃ to +70℃) ±2.5(-30℃ to +75℃) ±3.0(-40℃ to +85℃)	PPM
Frequency Stability @ Load(ΔF/F0)			±0.3(±10% Load Change)	PPM
Frequency Stability @ Vcc(ΔF/F0)			±0.2	PPM
Aging Per Year			±1.0	PPM
Phase Noise@19.20MHz			-110 dBC/Hz(100Hz) -140 dBC/Hz(1KHz) -150 dBC/Hz(10KHz)	
Operating Temperature Range(T ^{OPR})	-40		+85	℃
Storage Temperature Range(T ^{STG})	-55		+125	℃
Operating Voltage(Vcc)	3.3±10% or 2.5±10%			V
Input Current On Load(Icc)	Clipped Sine Wave		3(10.00 to 23.99MHz)	mA
	Clipped Sine Wave		5(24.00 to 40.00MHz)	
	CMOS		8(10.00 to 40.00MHz)	
Start Time			2	ms
Output Load	10KΩ//10PF(Clipped Sine Wave) 、 15 PF(CMOS)			
Output Level(Clipped Sine Wave)	0.8Vp-p			V
Output High Voltage Level("1")(CMOS)	90%VCC			V
Output Low Voltage Level("0")(CMOS)			10%VCC	V
Control Voltage Range(Vcontrol)	20%VCC		80%VCC	V
Pull ability@ Control Voltage Range	±5.0			PPM

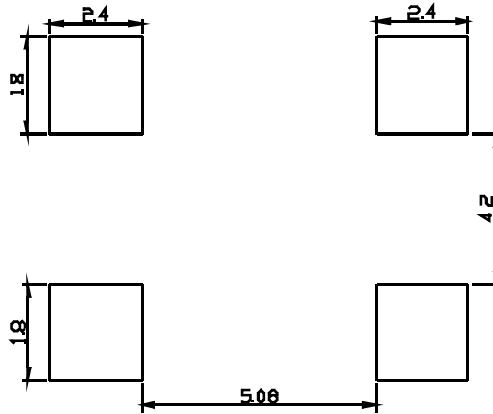
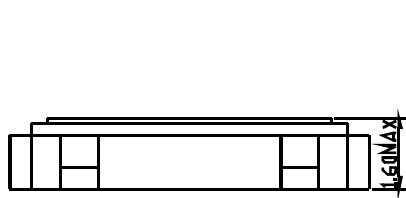




■ DIMENSIONS AND PIN FUNCTION:



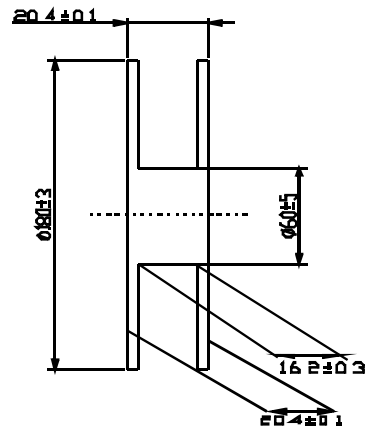
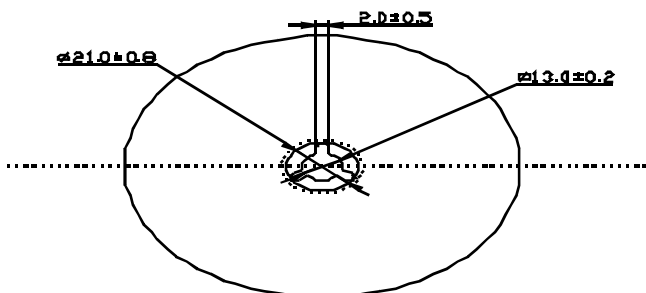
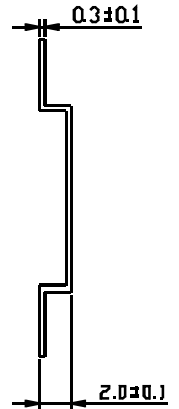
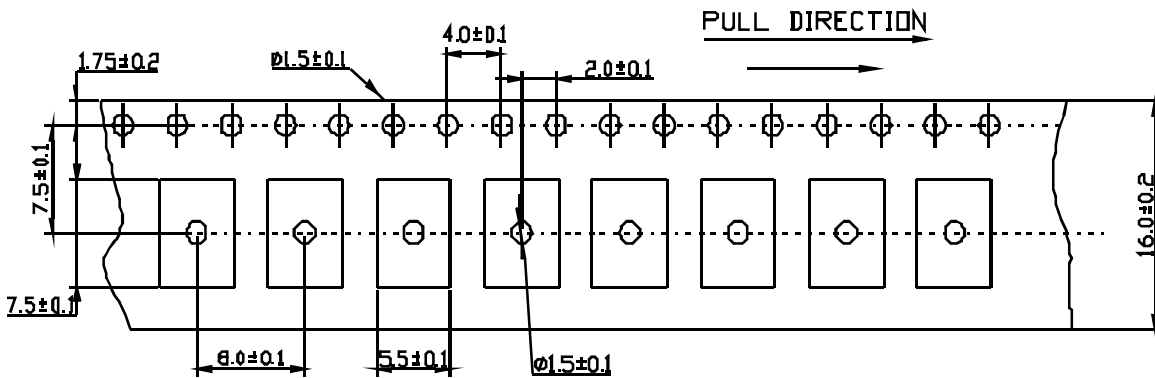
PIN	Function
#1	NC/Vcontrol
#2	GND
#3	Output
#4	Vcc



Unit:mm

Recommended Solder Pattern

■ TAPING AND REEL:



Unit: mm

